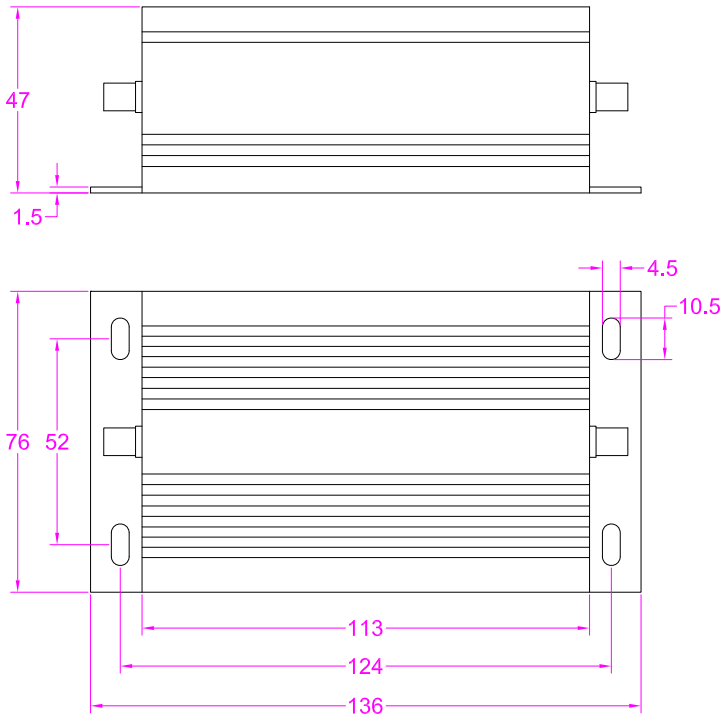


## Load cell signal amplifier FSC



- Mating connectors provided/提供配套接头
- Adjustable gain/增益可调

Ordering Code			
For compression only (Or tension only)		For tension and compression (Or clockwise and CCW)	
24V Power supply	12V Power supply	24V Power supply	12V Power supply
FSC(0-3.3V)-24V	FSC(0-3.3V)-12V	FSC(0-2.5-5V)-24V	FSC(0-2.5-5V)-12V
FSC(0-5V)-24V	FSC(0-5V)-12V	FSC(0-5-10V)-24V	FSC(0-5-10V)-12V
FSC(0-10V)-24V	FSC(0-10V)-12V	FSC(-5-5V)-24V	FSC(-5-5V)-12V
FSC(0-20mA)-24V	FSC(0-20mA)-12V	FSC(-10-10V)-24V	FSC(-10-10V)-12V
FSC(4-20mA)-24V	FSC(4-20mA)-12V	FSC(4-12-20mA)-24V	FSC(4-12-20mA)-12V

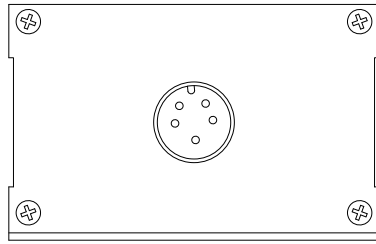
## Specifications

Function/功能	Turn mV signal into V or mA signal 将mV信号放大成V或mA信号
Accuracy/精度	0.1%
Power supply/供电电压	24V DC or 12V DC
Input signal range/输入信号范围	0.6~3.0mV/V
Output signal/输出信号	Refer to ordering code
Working environment/工作环境	-10...+60°C, <90%RH
Material of enclosure/外壳材料	Aluminum alloy/铝合金
Ingress protection/防护等级	IP50
Cable length/导线长度	Ø5*1000mm with mating connector 1m导线含配套接头
Wiring code/接线顺序	3-wire connection Red--Power+ Green--Output+ Black--Power-/Output- 三线制: 红--电源+ 绿--信号+ 黑--电源-/信号-

P-1/2

# User instruction of FSC

1--Soldering the 5-pin connector to the cable of load cell, then connect the load cell to amplifier's 5-pin end



- 1--S+
- 2--E+
- 3--S-
- 4--E-
- 5--Shield

2--Plug-in the Power&Signal cable to the amplifier's 4-pin end

3--Power the amplifier with 24V DC (or 12V DC depending on the part No. you choose), using a multimeter to measure the output signal from the amplifier. The wiring code of power&output is as follows:

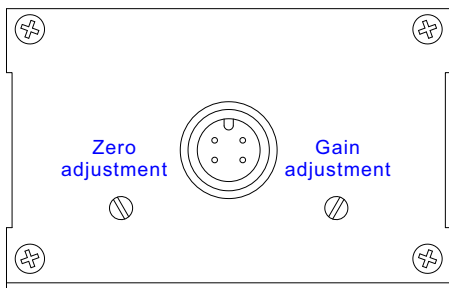
Red--Power+    Green--Output+    Black--Power-/Output-

4--Adding "0" load to the load cell, adjust the "Zero adjustment" potentiometer to get desired output.

5--Adding reference load to the load cell, adjust the "Gain adjustment" potentiometer to get desired output

(Note: If you cannot get the desired output by adjusting the potentiometer, you need to open the cover of the amplifier and adjust the "Gain switches".)

6--Repeat step 4 and 5 for better result.



Gain switches inside the amplifier

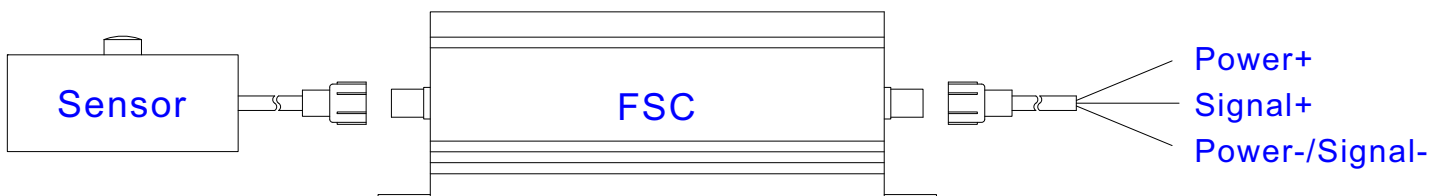


Power&Signal cable



## Wiring example

P-2/2



• Subject to change without notice